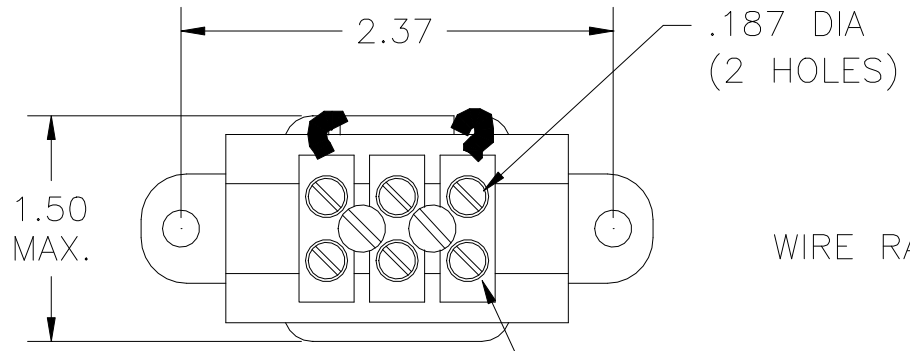
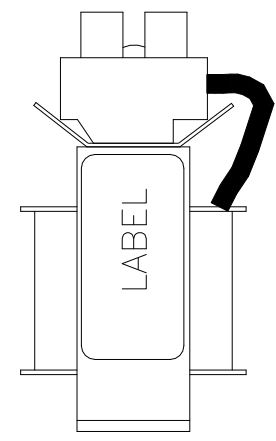
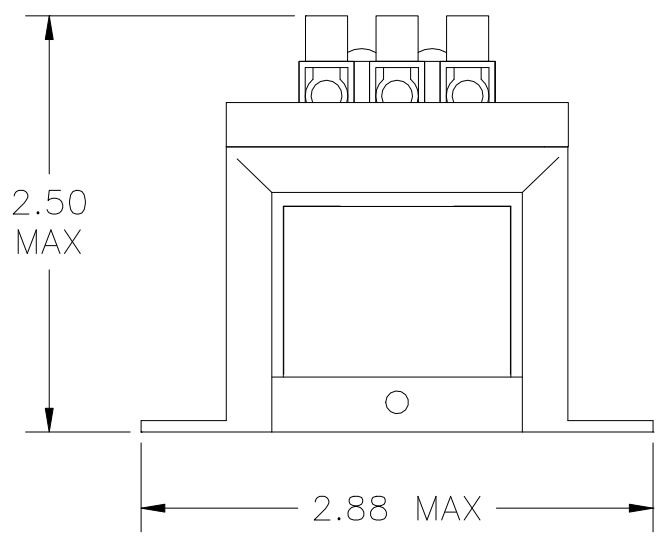


INDUCTANCE	LOSSES	WEIGHT
60 mH	4 Watts	1 Lbs

NO.	CHANGE DESCRIPTION	BY	DATE	C'K'D
04	REVISED PER ECR 7175, ADDED CD	RS	8/23/10	



WIRE RANGE: 22-14 AWG



UNLESS OTHERWISE SPECIFIED, DIMENSIONS ARE IN INCHES [mm] AND TOLERANCES ARE:

DECI. FRAC.

ANGLES DRILLED HOLES

PART NAME:	DC LINK CHOKE
DESCRIPTION:	OUTLINE DIMENSION
FINISH:	

MTE CORPORATION MENOMONEE FALLS, WISCONSIN			
CD 1RB002			REV. 04
SCALE	NTS	DATE	10/10/94
REF.	DR. BY	SJW	APP'D

FILE: